

UTAL series ARCHITECTURAL LUMINAIRE

UTAL-TY1

Features :

- ◎ Housing is made of cast aluminum alloy for corrosion resistance and durability
- ◎ Silicon rubber seals insure a high IP Rating
- ◎ Long lasting, German polycarbonate lamp shade
- ◎ Powder coated, galvanized pole is easy to install and maintain
- ◎ Available in a range of colors

Lamp and ballast :

- ◎ Ultra-Tech's 40W-80W round tubular induction lamps feature superior lighting efficiency, producing more visually effective lumens (VEL) per watt than other lighting sources
- ◎ Rated lamp life of 100,000 hours, the equivalent of 11 years at 24 hours per day, 365 days per year with a warranty of 10 years or 50,000 hours which ever comes first
- ◎ Instant strike, flicker free, no cool down required, insensitive to numbers of on off, fast warm-up
- ◎ Ultra-Tech's electronic ballast featuring optional Vari-Lume™ controlled dimming technology for linear and step dimming functions via light sensor, RF signal, carrier signal, motion detection, autoranging from 110V-277V, power factor >0.95
- ◎ Induction lamps are full spectrum containing R/G/B and C/M/Y resulting in a high CRI

Applications :

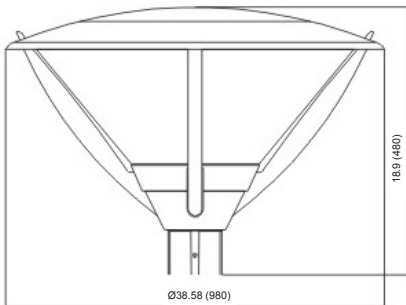
- ◎ Decorative outdoor lighting in residential communities, yards and gardens

Installation :

- ◎ Installation method must allow for free airflow around the ballast to comply with warranty requirements

Dimensions :

Unit: inches (mm)



Fixture Specifications :

Fixture Model No.	Lamp	Wattage (W)	Lamp lumens (Lm)	Voltage (V)	Color Temperature (K)	Ambient (°C)	Installation	IP class	UL CUL
UTAL-TY1-40W	RT40W	40	2600-3000	100-300	5000	-20~+50	Pole	IP65	Pending
UTAL-TY1-60W	RT60W	60	3900-4500						
UTAL-TY1-80W	RT80W	80	5600-6400						

* Note: Color Temperature 2720-6500K available upon request.

UTAL series ARCHITECTURAL LUMINAIRE

UTAL-TY2

Features :

- ⊙ Housing is made of cast aluminum alloy for corrosion resistance and durability
- ⊙ Silicon rubber seals insure a high IP Rating
- ⊙ Long lasting, German polycarbonate lamp shade
- ⊙ Powder coated, galvanized pole is easy to install and maintain
- ⊙ Available in a range of colors

Lamp and ballast :

- ⊙ Ultra-Tech's 40W-80W round tubular induction lamps feature superior lighting efficiency, producing more visually effective lumens (VEL) per watt than other lighting sources
- ⊙ Rated lamp life of 100,000 hours, the equivalent of 11 years at 24 hours per day, 365 days per year with a warranty of 10 years or 50,000 hours which ever comes first
- ⊙ Instant strike, flicker free, no cool down required, insensitive to numbers of on off, fast warm-up
- ⊙ Ultra-Tech's electronic ballast featuring optional Vari-Lume™ controlled dimming technology for linear and step dimming functions via light sensor, RF signal, carrier signal, motion detection, autoranging from 110V-277V, power factor >0.95
- ⊙ Induction lamps are full spectrum containing R/G/B and C/M/Y resulting in a high CRI



Applications :

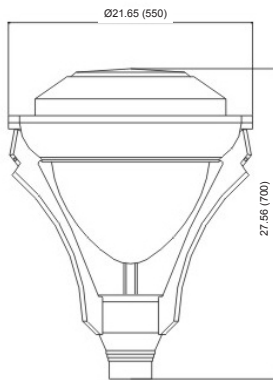
- ⊙ Decorative outdoor lighting in residential communities, yards and gardens

Installation :

- ⊙ Installation method must allow for free airflow around the ballast to comply with warranty requirements

Dimensions :

Unit: inches (mm)



Fixture Specifications :

Fixture Model No.	Lamp	Wattage (W)	Lamp lumens (Lm)	Voltage (V)	Color Temperature (K)	Ambient (°C)	Installation	IP class	UL CUL
UTAL-TY2-40W	RT40W	40	2600-3000	100-300	5000	-20~+50	Pole	IP65	Pending
UTAL-TY2-60W	RT60W	60	3900-4500						
UTAL-TY2-80W	RT80W	80	5600-6400						

* Note: Color Temperature 2720-6500K available upon request.

UTAL-TY3

Features :

- ◎ Housing is made of cast aluminum alloy for corrosion resistance and durability
- ◎ Silicon rubber seals insure a high IP Rating
- ◎ Long lasting, German polycarbonate lamp shade
- ◎ Powder coated, galvanized pole is easy to install and maintain
- ◎ Available in a range of colors

Lamp and ballast :

- ◎ Ultra-Tech's 40W-80W round tubular induction lamps feature superior lighting efficiency, producing more visually effective lumens (VEL) per watt than other lighting sources
- ◎ Rated lamp life of 100,000 hours, the equivalent of 11 years at 24 hours per day, 365 days per year with a warranty of 10 years or 50,000 hours which ever comes first
- ◎ Instant strike, flicker free, no cool down required, insensitive to numbers of on off, fast warm-up
- ◎ Ultra-Tech's electronic ballast featuring optional Vari-Lume™ controlled dimming technology for linear and step dimming functions via light sensor, RF signal, carrier signal, motion detection, autoranging from 110V-277V, power factor >0.95
- ◎ Induction lamps are full spectrum containing R/G/B and C/M/Y resulting in a high CRI



Applications :

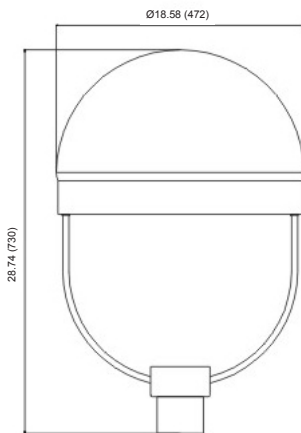
- ◎ Decorative outdoor lighting in residential communities, yards and gardens

Installation :

- ◎ Installation method must allow for free airflow around the ballast to comply with warranty requirements

Dimensions :

Unit: inches (mm)



Fixture Specifications :

Fixture Model No.	Lamp	Wattage (W)	Lamp lumens (Lm)	Voltage (V)	Color Temperature (K)	Ambient (°C)	Installation	IP class	UL CUL
UTAL-TY3-40W	RT40W	40	2600-3000	100-300	5000	-20~+50	Pole	IP65	Pending
UTAL-TY3-60W	RT60W	60	3900-4500						
UTAL-TY3-80W	RT80W	80	5600-6400						

* Note: Color Temperature 2720-6500K available upon request.

UTAL series ARCHITECTURAL LUMINAIRE

UTAL-TY4

Features :

- ◎ Housing is made of cast aluminum alloy for corrosion resistance and durability
- ◎ Silicon rubber seals insure a high IP Rating
- ◎ Long lasting, German polycarbonate lamp shade
- ◎ Powder coated, galvanized pole is easy to install and maintain
- ◎ Available in a range of colors

Lamp and ballast :

- ◎ Ultra-Tech's 40W-80W round tubular induction lamps feature superior lighting efficiency, producing more visually effective lumens (VEL) per watt than other lighting sources
- ◎ Rated lamp life of 100,000 hours, the equivalent of 11 years at 24 hours per day, 365 days per year with a warranty of 10 years or 50,000 hours which ever comes first
- ◎ Instant strike, flicker free, no cool down required, insensitive to numbers of on off, fast warm-up
- ◎ Ultra-Tech's electronic ballast featuring optional Vari-Lume™ controlled dimming technology for linear and step dimming functions via light sensor, RF signal, carrier signal, motion detection, autoranging from 110V-277V, power factor >0.95
- ◎ Induction lamps are full spectrum containing R/G/B and C/M/Y resulting in a high CRI



Applications :

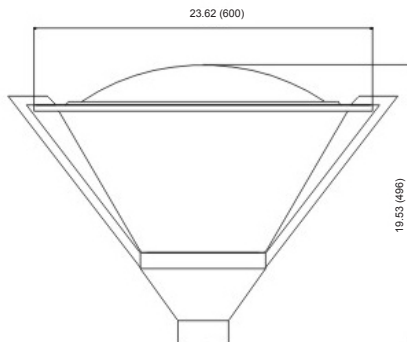
- ◎ Decorative outdoor lighting in residential communities, yards and gardens

Installation :

- ◎ Installation method must allow for free airflow around the ballast to comply with warranty requirements



Dimensions : Unit: inches (mm)



Fixture Specifications :

Fixture Model No.	Lamp	Wattage (W)	Lamp lumens (Lm)	Voltage (V)	Color Temperature (K)	Ambient (°C)	Installation	IP class	UL CUL
UTAL-TY4-40W	RT40W	40	2600-3000	100-300	5000	-20~+50	Pole	IP65	Pending
UTAL-TY4-60W	RT60W	60	3900-4500						
UTAL-TY4-80W	RT80W	80	5600-6400						

* Note: Color Temperature 2720-6500K available upon request.

UTAL series ARCHITECTURAL LUMINAIRE

UTAL-TY5

Features :

- ◎ Housing is made of cast aluminum alloy for corrosion resistance and durability
- ◎ Silicon rubber seals insure a high IP Rating
- ◎ Long lasting, German polycarbonate lamp shade
- ◎ Powder coated, galvanized pole is easy to install and maintain
- ◎ Available in a range of colors

Lamp and ballast :

- ◎ Ultra-Tech's 40W-80W round tubular induction lamps feature superior lighting efficiency, producing more visually effective lumens (VEL) per watt than other lighting sources
- ◎ Rated lamp life of 100,000 hours, the equivalent of 11 years at 24 hours per day, 365 days per year with a warranty of 10 years or 50,000 hours which ever comes first
- ◎ Instant strike, flicker free, no cool down required, insensitive to numbers of on off, fast warm-up
- ◎ Ultra-Tech's electronic ballast featuring optional Vari-Lume™ controlled dimming technology for linear and step dimming functions via light sensor, RF signal, carrier signal, motion detection, autoranging from 110V-277V, power factor >0.95
- ◎ Induction lamps are full spectrum containing R/G/B and C/M/Y resulting in a high CRI

Applications :

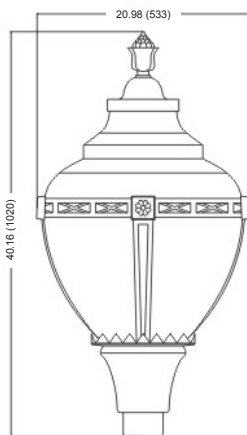
- ◎ Decorative outdoor lighting in residential communities, yards and gardens

Installation :

- ◎ Installation method must allow for free airflow around the ballast to comply with warranty requirements

Dimensions :

Unit: inches (mm)



Fixture Specifications :

Fixture Model No.	Lamp	Wattage (W)	Lamp lumens (Lm)	Voltage (V)	Color Temperature (K)	Ambient (°C)	Installation	IP class	UL CUL
UTAL-TY5-40W	RT40W	40	2600-3000	100-300	5000	-20~+50	Pole	IP65	Pending
UTAL-TY5-60W	RT60W	60	3900-4500						
UTAL-TY5-80W	RT80W	80	5600-6400						

* Note: Color Temperature 2720-6500K available upon request.

UTAL series ARCHITECTURAL LUMINAIRE

UTAL-TY6

Features :

- ◎ Housing is made of cast aluminum alloy for corrosion resistance and durability
- ◎ Silicon rubber seals insure a high IP Rating
- ◎ Long lasting, German polycarbonate lamp shade
- ◎ Powder coated, galvanized pole is easy to install and maintain
- ◎ Available in a range of colors

Lamp and ballast :

- ◎ Ultra-Tech's 40W round tubular induction lamps feature superior lighting efficiency, producing more visually effective lumens (VEL) per watt than other lighting sources
- ◎ Rated lamp life of 100,000 hours, the equivalent of 11 years at 24 hours per day, 365 days per year with a warranty of 10 years or 50,000 hours which ever comes first
- ◎ Instant strike, flicker free, no cool down required, insensitive to numbers of on off, fast warm-up
- ◎ Ultra-Tech's electronic ballast featuring optional Vari-Lume™ controlled dimming technology for linear and step dimming functions via light sensor, RF signal, carrier signal, motion detection, autoranging from 110V-277V, power factor >0.95
- ◎ Induction lamps are full spectrum containing R/G/B and C/M/Y resulting in a high CRI

Applications :

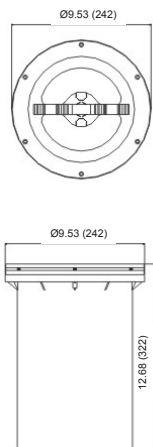
- ◎ Decorative outdoor lighting in residential communities, yards and gardens

Installation :

- ◎ Installation method must allow for free airflow around the ballast to comply with warranty requirements

Dimensions :

Unit: inches (mm)



Fixture Specifications :

Fixture Model No.	Lamp	Wattage (W)	Lamp lumens (Lm)	Voltage (V)	Color Temperature (K)	Ambient (°C)	Installation	IP class	UL CUL
UTAL-TY6-40W	RT40W	40	2600-3000	100-300	5000	-20~+50	Pole	IP65	Pending

* Note: Color Temperature 2720-6500K available upon request.

UTAL-TY7

Features :

- ◎ Housing is made of cast aluminum alloy for corrosion resistance and durability
- ◎ Silicon rubber seals insure a high IP Rating
- ◎ Long lasting, German polycarbonate lamp shade
- ◎ Powder coated, galvanized pole is easy to install and maintain
- ◎ Available in a range of colors

Lamp and ballast :

- ◎ Ultra-Tech's 40W round tubular induction lamps feature superior lighting efficiency, producing more visually effective lumens (VEL) per watt than other lighting sources
- ◎ Rated lamp life of 100,000 hours, the equivalent of 11 years at 24 hours per day, 365 days per year with a warranty of 10 years or 50,000 hours which ever comes first
- ◎ Instant strike, flicker free, no cool down required, insensitive to numbers of on off, fast warm-up
- ◎ Ultra-Tech's electronic ballast featuring optional Vari-Lume™ controlled dimming technology for linear and step dimming functions via light sensor, RF signal, carrier signal, motion detection, autoranging from 110V-277V, power factor >0.95
- ◎ Induction lamps are full spectrum containing R/G/B and C/M/Y resulting in a high CRI



Applications :

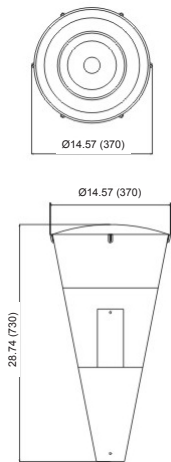
- ◎ Decorative outdoor lighting in residential communities, yards and gardens

Installation :

- ◎ Installation method must allow for free airflow around the ballast to comply with warranty requirements

Dimensions :

Unit: inches (mm)



Fixture Specifications :

Fixture Model No.	Lamp	Wattage (W)	Lamp lumens (Lm)	Voltage (V)	Color Temperature (K)	Ambient (°C)	Installation	IP class	UL CUL
UTAL-TY7-40W	RT40W	40	2600-3000	100-300	5000	-20~+50	Pole	IP65	Pending

* Note: Color Temperature 2720-6500K available upon request.