

UTCL series CANOPY LUMINAIRE

UTCL-100MX4 UTCL-150MX4 UTCL-100MX4A UTCL-150MXA



Features :

- ⊙ Powder coated, die cast aluminum housing is durable and corrosion resistant
- ⊙ UTCL-100E/150EMX4 - clear tempered glass lens UTCL-100E/150EMX4A - UV stabilized and heat resistant polycarbonate lens
- ⊙ Separated control gear used to improve heat dispersion and extend lifetime of lighting fixture



UTCL-100MX4 UTCL-150MX4 UTCL-100MX4A UTCL-150MX4A

Lamp and ballast :

- ⊙ Ultra-Tech's 70W ~150W rectangular tubular induction lamps feature superior lighting efficiency, producing more visually effective lumens (VEL) per watt than other lighting sources
- ⊙ Rated lamp life of 100,000 hours, the equivalent of 11 years at 24 hours per day, 365 days per year with a warranty of 10 years or 50,000 hours which ever comes first
- ⊙ Instant strike, flicker free, no cool down required, insensitive to numbers of on off, fast warm-up
- ⊙ Induction lamps are full spectrum containing R/G/B and C/M/Y resulting in a high CRI



Applications :

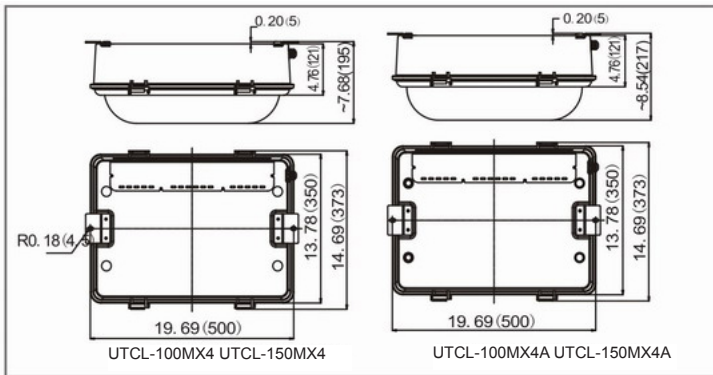
- ⊙ Parking garages, gas stations, schools, shopping malls

Installation :

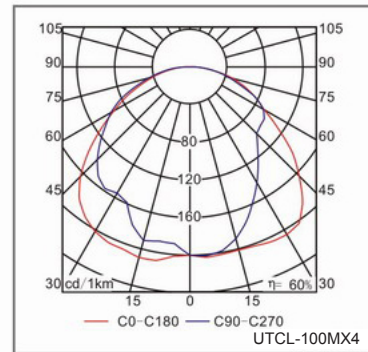
- ⊙ Installation method must allow for free airflow around the ballast to comply with warranty requirements

Dimensions :

Unit: inches (mm)



Photometric :



Fixture Specifications :

Fixture Model No.	Lamp	Wattage (W)	Lamp lumens (Lm)	Voltage (V)	Color Temperature (K)	Ambient (°C)	Installation	IP class	CBM	N.W. (Kg)/(LBs)	G.W. (Kg)/(LBs)	Note	UL CUL
UTG-100MX4	ST70W	70	4900-5600	100-300	5000	-20~+50	Ceiling mount	IP65	0.059	7.50	9.20	Curve tempered glass lens.	√
UTCL-100MX4A	ST80W	80	5600-6400							7.30	9.00	PC lens	
	ST100W	100	7500-8500							7.50	9.20	Curve tempered glass lens.	
UTCL-150MX4	ST120W	120	9000-10200							7.30	9.00	PC lens	
UTCL-150MXA	ST150W	150	12000-12750										

* Note: Color Temperature 2720-6500K available upon request.

UTCL series CANOPY LUMINAIRE

UTCL-YZ1

Features :

- © Housing is made of cast aluminum alloy for corrosion resistance and durability
- © Tempered glass lens has excellent light transmission and will not yellow

Lamp and ballast :

- © Ultra-Tech's 40W-250W round tubular induction lamps feature superior lighting efficiency, producing more visually effective lumens (VEL) per watt than other lighting sources
- © Rated lamp life of 100,000 hours, the equivalent of 11 years at 24 hours per day, 365 days per year with a warranty of 10 years or 50,000 hours whichever ever comes first
- © Instant strike, flicker free, no cool down required, insensitive to numbers of on off, fast warm-up
- © Ultra-Tech's electronic ballast featuring optional Vari-Lume™ controlled dimming technology for linear and step dimming functions via light sensor, RF signal, carrier signal, motion detection, autoranging from 110V-277V, power factor >0.95
- © Induction lamps are full spectrum containing R/G/B and C/M/Y resulting in a high CRI



Applications :

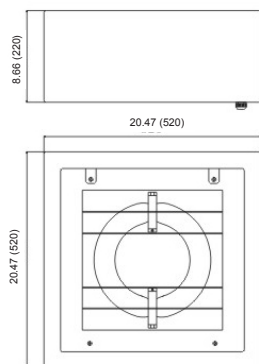
- © For use in underground garages, gasoline stations and under canopy applications

Installation :

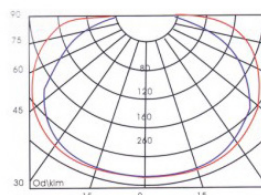
- © Installation method must allow for free airflow around the ballast to comply with warranty requirements

Dimensions :

Unit: inches (mm)



Photometric :



Fixture Specifications :

Fixture Model No.	Lamp	Wattage (W)	Lamp lumens (Lm)	Voltage (V)	Color Temperature (K)	Ambient (°C)	Installation	IP class	UL CUL
UTCL-YZ1-40W	RT40W	40	2600-3000	100-300	5000	-20~+50	Hook/Hanging pole	IP43	Pending
UTCL-YZ1-60W	RT60W	60	3900-4500						
UTCL-YZ1-80W	RT80W	80	5600-6400						
UTCL-YZ1-100W	RT100W	100	7500-8500						
UTCL-YZ1-120W	RT120W	120	9000-10200						
UTCL-YZ1-150W	RT150W	150	12000-12750						
UTCL-YZ1-200W	RT200W	200	16000-17000						
UTCL-YZ1-250W	RT250W	250	20000-21250						

* Note: Color Temperature 2720-6500K available upon request.