

UTFL series FLOOD LUMINAIRE

UTFL-100ZY

Features :

- © Die cast aluminum housing with powder coated finish for corrosion-resistance
- © Anodized aluminum reflector and clear tempered glass lens are designed to optimize light distribution
- © Heat-resistant gas-tight silicone rubber seal

Lamp and ballast :

- © Ultra-Tech's 70W ~100W rectangular tubular induction lamps feature superior lighting efficiency, producing more visually effective lumens (VEL) per watt than other lighting sources
- © Rated lamp life of 100,000 hours, the equivalent of 11 years at 24 hours per day, 365 days per year with a warranty of 10 years or 50,000 hours which ever comes first
- © Instant strike, flicker free, no cool down required, insensitive to numbers of on off, fast warm-up
- © Induction lamps are full spectrum containing R/G/B and C/M/Y resulting in a high CRI



Applications :

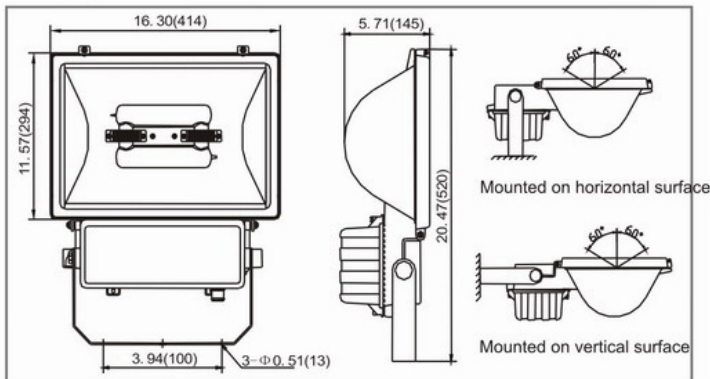
- © Billboards, building, parks, pools, plazas

Installation :

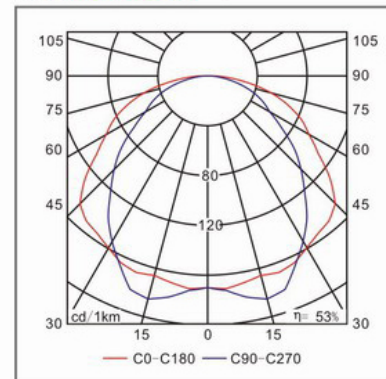
- © Installation method must allow for free airflow around the ballast to comply with warranty requirements

Dimensions :

Unit: inches (mm)



Photometric :



Fixture Specifications :

Fixture Model No.	Lamp	Wattage (W)	Lamp lumens (Lm)	Voltage (V)	Color Temperature (K)	Ambient (°C)	Installation	IP class	CBM	N.W. (Kg)/ (LBs)	G.W. (Kg)/ (LBs)	Note	UL CUL
UTFL-100ZY	ST70W	70	4900-5600	100-300	5000	-20~+50	Bracket	IP65	0.038	7.50 /13.50	8.50 /15.30	Upward	√
	ST80W	80	5600-6400										
	ST100W	100	7500-8500										

* Note: Color Temperature 2720-6500K available upon request.

UTFL series FLOOD LUMINAIRE

UTFL-100ZY1

Features :

- ◎ Die cast aluminum housing with powder coated finish for corrosion-resistance
- ◎ Anodized aluminum reflector and clear tempered glass lens are designed to optimize light distribution
- ◎ Heat-resistant gas-tight silicone rubber seal

Lamp and ballast :

- ◎ Ultra-Tech's 70W ~150W rectangular tubular induction lamps feature superior lighting efficiency, producing more visually effective lumens (VEL) per watt than other lighting sources
- ◎ Rated lamp life of 100,000 hours, the equivalent of 11 years at 24 hours per day, 365 days per year with a warranty of 10 years or 50,000 hours which ever comes first
- ◎ Instant strike, flicker free, no cool down required, insensitive to numbers of on off, fast warm-up
- ◎ Induction lamps are full spectrum containing R/G/B and C/M/Y resulting in a high CRI

Applications :

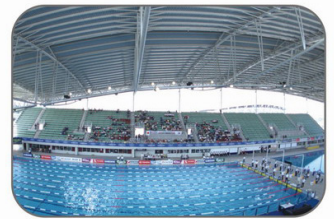
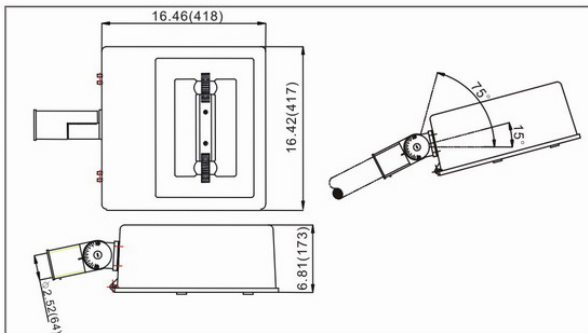
- ◎ Billboards, building, parks, pools, plazas

Installation :

- ◎ Installation method must allow for free airflow around the ballast to comply with warranty requirements

Dimensions :

Unit: inches (mm)



Fixture Specifications :

Fixture Model No.	Lamp	Wattage (W)	Lamp lumens (Lm)	Voltage (V)	Color Temperature (K)	Ambient (°C)	Installation	IP class	CBM	N.W. (Kg)/ (LBs)	G.W. (Kg)/ (LBs)	UL CUL
UTFL-100ZY1	ST70W	70	4900-5600	100-300	5000	-20~+50	"U" bracket	IP65	0.055	8.50 /15.30	9.50 /17.10	pending
	ST80W	80	5600-6400									
	ST100W	100	7500-8500									
	ST150W	150	12000-12750									

* Note: Color Temperature 2720-6500K available upon request.

UTFL series FLOOD LUMINAIRE

UTFL-SD1

Features :

- ⊙ Housing is made of cast aluminum alloy for corrosion resistance and durability
- ⊙ Lamp shade is made of high-purity extendable aluminum together with PC . The surface is painted using nano-oxidizing technology, providing high optical performance and durability

Lamp and ballast :

- ⊙ Ultra-Tech's 40W -100W rectangular tubular induction lamps feature superior lighting efficiency, producing more visually effective lumens (VEL) per watt than other lighting sources
- ⊙ Rated lamp life of 100,000 hours, the equivalent of 11 years at 24 hours per day, 365 days per year with a warranty of 10 years or 50,000 hours which ever comes first
- ⊙ Instant strike, flicker free, no cool down required, insensitive to numbers of on off, fast warm-up
- ⊙ Ultra-Tech's electronic ballast featuring optional Vari-Lume™ controlled dimming technology for linear and step dimming functions via light sensor, RF signal, carrier signal, motion detection, autoranging from 110V-277V, power factor >0.95
- ⊙ Induction lamps are full spectrum containing R/G/B and C/M/Y resulting in a high CRI

Applications :

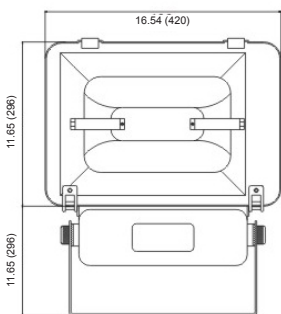
- ⊙ AD boards, gym, warehouse airport, bus station, amusement center, exhibition hall and outdoor lighting applications

Installation :

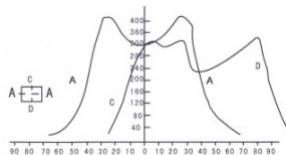
- ⊙ Installation method must allow for free airflow around the ballast to comply with warranty requirements

Dimensions :

Unit: inches (mm)



Photometric :



Fixture Specifications :

Fixture Model No.	Lamp	Wattage (W)	Lamp lumens (Lm)	Voltage (V)	Color Temperature (K)	Ambient (°C)	Installation	IP class	UL CUL
UTFL-SD1-40W	ST40W	40	2800-3200	100-300	5000	-20~+50	"U" bracket	IP65	Pending
UTFL-SD1-60W	ST60W	60	4200-4800						
UTFL-SD1-80W	ST80W	80	5600-6400						
UTFL-SD1-100W	ST100W	100	7500-8500						

* Note: Color Temperature 2720-6500K available upon request.

UTFL series FLOOD LUMINAIRE

UTFL-SD2

Features :

- ◎ Housing is made of cast aluminum alloy for corrosion resistance and durability
- ◎ Lamp shade is made of high-purity extendable aluminum together with PC . The surface is painted using nano-oxidizing technology, providing high optical performance and durability

Lamp and ballast :

- ◎ Ultra-Tech's 40W-300W round tubular induction lamps feature superior lighting efficiency, producing more visually effective lumens (VEL) per watt than other lighting sources
- ◎ Rated lamp life of 100,000 hours, the equivalent of 11 years at 24 hours per day, 365 days per year with a warranty of 10 years or 50,000 hours which ever comes first
- ◎ Instant strike, flicker free, no cool down required, insensitive to numbers of on off, fast warm-up
- ◎ Ultra-Tech's electronic ballast featuring optional Vari-Lume™ controlled dimming technology for linear and step dimming functions via light sensor, RF signal, carrier signal, motion detection, autoranging from 110V-277V, power factor >0.95
- ◎ Induction lamps are full spectrum containing R/G/B and C/M/Y resulting in a high CRI

Applications :

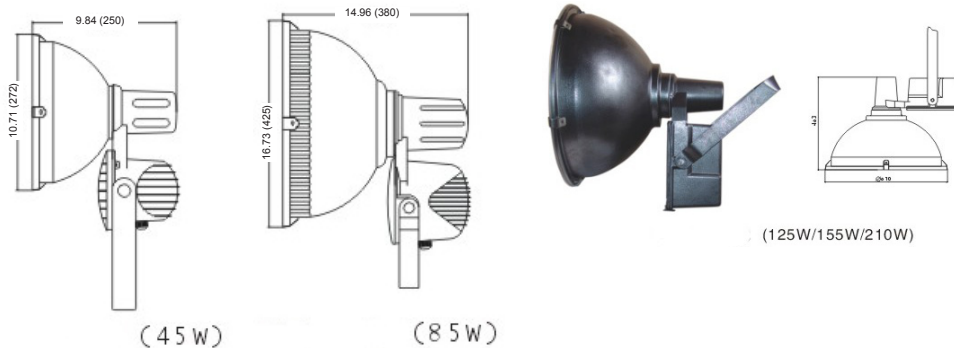
- ◎ AD boards, gym, warehouse airport, bus station, amusement center, exhibition hall and outdoor lighting applications

Installation :

- ◎ Installation method must allow for free airflow around the ballast to comply with warranty requirements

Dimensions :

Unit: inches (mm)



Fixture Specifications :

Fixture Model No.	Lamp	Wattage (W)	Lamp lumens (Lm)	Voltage (V)	Color Temperature (K)	Ambient (°C)	Installation	IP class	UL CUL
UTFL-SD2-40W	RT40W	40	2600-3000	100-300	5000	-20~+50	"U" bracket	IP65	Pending
UTFL-SD2-60W	RT60W	60	3900-4500						
UTFL-SD2-80W	RT80W	80	5600-6400						
UTFL-SD2-100W	RT100W	100	7500-8500						
UTFL-SD2-120W	RT120W	120	9000-10200						
UTFL-SD2-150W	RT150W	150	12000-12750						
UTFL-SD2-200W	RT200W	200	16000-17000						
UTFL-SD2-250W	RT250W	250	20000-21250						
UTFL-SD2-300W	RT300W	300	24000-25500						

* Note: Color Temperature 2720-6500K available upon request.

UTFL series FLOOD LUMINAIRE

UTFL-SD3

Features :

- ⊙ Housing is made of cast aluminum alloy for corrosion resistance and durability
- ⊙ Lamp shade is made of high-purity extendable aluminum together with PC . The surface is painted using nano-oxidizing technology, providing high optical performance and durability

Lamp and ballast :

- ⊙ Ultra-Tech's 40W-120W rectangular tubular induction lamps feature superior lighting efficiency, producing more visually effective lumens (VEL) per watt than other lighting sources
- ⊙ Rated lamp life of 100,000 hours, the equivalent of 11 years at 24 hours per day, 365 days per year with a warranty of 10 years or 50,000 hours which ever comes first
- ⊙ Instant strike, flicker free, no cool down required, insensitive to numbers of on off, fast warm-up
- ⊙ Ultra-Tech's electronic ballast featuring optional Vari-Lume™ controlled dimming technology for linear and step dimming functions via light sensor, RF signal, carrier signal, motion detection, autoranging from 110V-277V, power factor >0.95
- ⊙ Induction lamps are full spectrum containing R/G/B and C/M/Y resulting in a high CRI

Applications :

- ⊙ AD boards, gym, warehouse airport, bus station, amusement center, exhibition hall and outdoor lighting applications

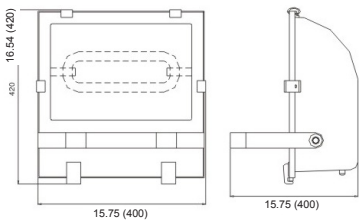
Installation :

- ⊙ Installation method must allow for free airflow around the ballast to comply with warranty requirements

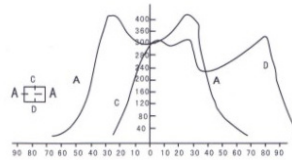


Dimensions :

Unit: inches (mm)



Photometric :



Fixture Specifications :

Fixture Model No.	Lamp	Wattage (W)	Lamp lumens (Lm)	Voltage (V)	Color Temperature (K)	Ambient (°C)	Installation	IP class	UL CUL
UTFL-SD3-40W	ST40W	40	2800-3200	100-300	5000	-20~+50	"U" bracket	IP65	Pending
UTFL-SD3-60W	ST60W	60	4200-4800						
UTFL-SD3-80W	ST80W	80	5600-6400						
UTFL-SD3-100W	ST100W	100	7500-8500						
UTFL-SD3-120W	ST120W	120	9000-10200						

* Note: Color Temperature 2720-6500K available upon request.

UTFL-SD4

Features :

- ◎ Housing is made of cast aluminum alloy for corrosion resistance and durability
- ◎ Lamp shade is made of high-purity extendable aluminum together with PC . The surface is painted using nano-oxidizing technology, providing high optical performance and durability

Lamp and ballast :

- ◎ Ultra-Tech's 150W-250W rectangular tubular induction lamps feature superior lighting efficiency, producing more visually effective lumens (VEL) per watt than other lighting sources
- ◎ Rated lamp life of 100,000 hours, the equivalent of 11 years at 24 hours per day, 365 days per year with a warranty of 10 years or 50,000 hours which ever comes first
- ◎ Instant strike, flicker free, no cool down required, insensitive to numbers of on off, fast warm-up
- ◎ Ultra-Tech's electronic ballast featuring optional Vari-Lume™ controlled dimming technology for linear and step dimming functions via light sensor, RF signal, carrier signal, motion detection, autoranging from 110V-277V, power factor >0.95
- ◎ Induction lamps are full spectrum containing R/G/B and C/M/Y resulting in a high CRI

Applications :

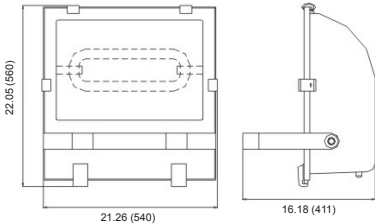
- ◎ AD boards, gym, warehouse airport, bus station, amusement center, exhibition hall and outdoor lighting applications

Installation :

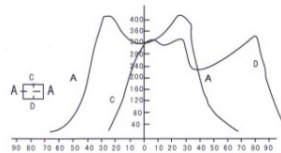
- ◎ Installation method must allow for free airflow around the ballast to comply with warranty requirements

Dimensions :

Unit: inches (mm)



Photometric :



Fixture Specifications :

Fixture Model No.	Lamp	Wattage (W)	Lamp lumens (Lm)	Voltage (V)	Color Temperature (K)	Ambient (°C)	Installation	IP class	UL CUL
UTFL-SD4-150W	ST150W	150	12000-12750						
UTFL-SD4-200W	ST200W	200	16000-17000						
UTFL-SD4-250W	ST250W	250	20000-21250						

* Note: Color Temperature 2720-6500K available upon request.

UTFL series FLOOD LUMINAIRE

UTFL-SD5

Features :

- © Housing is made of cast aluminum alloy for corrosion resistance and durability
- © Lamp shade is made of high-purity extendable aluminum together with PC . The surface is painted using nano-oxidizing technology, providing high optical performance and durability

Lamp and ballast :

- © Ultra-Tech's 40W-250W rectangular tubular induction lamps feature superior lighting efficiency, producing more visually effective lumens (VEL) per watt than other lighting sources
- © Rated lamp life of 100,000 hours, the equivalent of 11 years at 24 hours per day, 365 days per year with a warranty of 10 years or 50,000 hours which ever comes first
- © Instant strike, flicker free, no cool down required, insensitive to numbers of on off, fast warm-up
- © Ultra-Tech's electronic ballast featuring optional Vari-Lume™ controlled dimming technology for linear and step dimming functions via light sensor, RF signal, carrier signal, motion detection, autoranging from 110V-277V, power factor >0.95
- © Induction lamps are full spectrum containing R/G/B and C/M/Y resulting in a high CRI

Applications :

- © AD boards, gym, warehouse airport, bus station, amusement center, exhibition hall and outdoor lighting applications

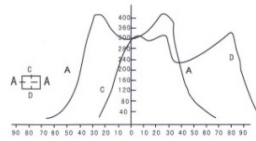
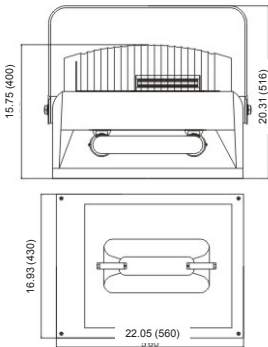
Installation :

- © Installation method must allow for free airflow around the ballast to comply with warranty requirements

Dimensions :

Unit: inches (mm)

Photometric :



Fixture Specifications :

Fixture Model No.	Lamp	Wattage (W)	Lamp lumens (Lm)	Voltage (V)	Color Temperature (K)	Ambient (°C)	Installation	IP class	UL CUL
UTFL-SD5-40W	RT40W	40	2600-3000	100-300	5000	-20~+50	Hook/Hanging pole	IP43	Pending
UTFL-SD5-60W	RT60W	60	3900-4500						
UTFL-SD5-80W	RT80W	80	5600-6400						
UTFL-SD5-100W	RT100W	100	7500-8500						
UTFL-SD5-120W	RT120W	120	9000-10200						
UTFL-SD5-150W	RT150W	150	12000-12750						
UTFL-SD5-200W	RT200W	200	16000-17000						
UTFL-SD5-250W	RT250W	250	20000-21250						

* Note: Color Temperature 2720-6500K available upon request.

UTFL series FLOOD LUMINAIRE

UTFL-SD6 (2X120) UTFL-SD7 (2x150) UTFL-SD8 (2X200)

Features :

- © Housing is made of cast aluminum alloy for corrosion resistance and durability
- © Lamp shade is made of high-purity extendable aluminum together with PC . The surface is painted using nano-oxidizing technology, providing high optical performance and durability

Lamp and ballast :

- © Ultra-Tech's 240W-400W rectangular tubular induction lamps feature superior lighting efficiency, producing more visually effective lumens (VEL) per watt than other lighting sources
- © Rated lamp life of 100,000 hours, the equivalent of 11 years at 24 hours per day, 365 days per year with a warranty of 10 years or 50,000 hours which ever comes first
- © Instant strike, flicker free, no cool down required, insensitive to numbers of on off, fast warm-up
- © Ultra-Tech's electronic ballast featuring optional Vari-Lume™ controlled dimming technology for linear and step dimming functions via light sensor, RF signal, carrier signal, motion detection, autoranging from 110V-277V, power factor >0.95
- © Induction lamps are full spectrum containing R/G/B and C/M/Y resulting in a high CRI

Applications :

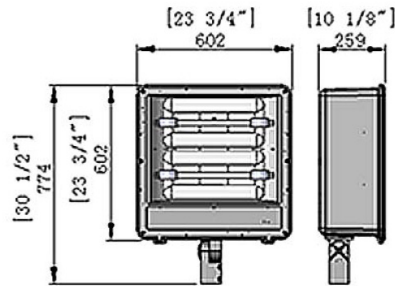
- © AD boards, gym, warehouse airport, bus station, amusement center, exhibition hall and outdoor lighting applications

Installation :

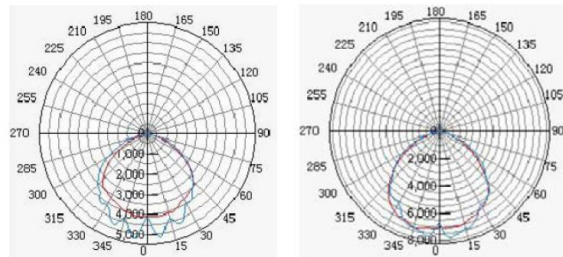
- © Installation method must allow for free airflow around the ballast to comply with warranty requirements

Dimensions :

Unit: inches (mm)



Photometric :



Fixture Specifications :

Fixture Model No.	Lamp	Wattage (W)	Lamp lumens (Lm)	Voltage (V)	Color Temperature (K)	Ambient (°C)	Installation	IP class	UL CUL
UTFL-SD6	ST120W x 2	120 x 2	9000-10200	100-300	5000	-20~+50	Round pole	IP65	Pending
UTFL-SD7	ST150W x 2	150 x 2	12000-12750						
UTFL-SD8	ST400W x 2	400 x 2	32000-34000						

* Note: Color Temperature 2720-6500K available upon request.

