

UTGL series GARAGE LUMINAIRE

UTGL-YZ-3

Features :

- © Housing is made of cast aluminum alloy for corrosion resistance and durability
- © The lampshade is made of tempered glass for safety, resistance to yellowing, and excellent light transmission

Lamp and ballast :

- © Ultra-Tech's 40W – 100W round tubular induction lamps feature superior lighting efficiency, producing more visually effective lumens (VEL) per watt than other lighting sources
- © Rated lamp life of 100,000 hours, the equivalent of 11 years at 24 hours per day, 365 days per year with a warranty of 10 years or 50,000 hours which ever comes first
- © Instant strike, flicker free, no cool down required, insensitive to numbers of on off, fast warm-up
- © Ultra-Tech's electronic ballast featuring optional Vari-Lume™ controlled dimming technology for linear and step dimming functions via light sensor, RF signal, carrier signal, motion detection, autoranging from 110V-277V, power factor >0.95
- © Induction lamps are full spectrum containing R/G/B and C/M/Y resulting in a high CRI

Applications :

- © For use in parking garages, gasoline stations, under canopy applications

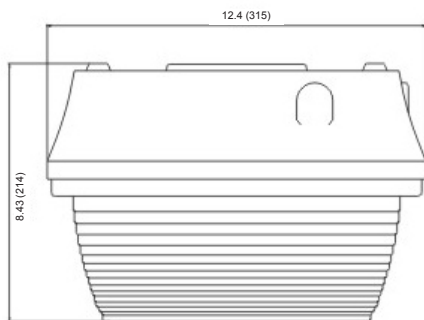
Installation :

- © Installation method must allow for free airflow around the ballast to comply with warranty requirements

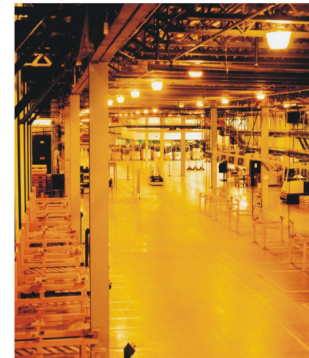
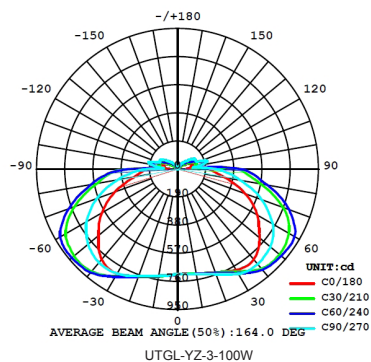


Dimensions :

Unit: inches (mm)



Photometric :



Fixture Specifications :

Fixture Model No.	Lamp	Wattage (W)	Lamp lumens (Lm)	Voltage (V)	Color Temperature (K)	Ambient (°C)	Installation	IP class	UL CUL
UTGL-YZ-3-40W	RT40W	40	2800-3200	100-300	5000	-20~+50	Ceiling or pendant mount	IP43	Pending
UTGL-YZ-3-60W	RT60W	60	4200-4800						
UTGL-YZ-3-80W	RT80W	80	5600-6400						
UTGL-YZ-3-100W	RT100W	100	7500-8500						

* Note: Color Temperature 2720-6500K available upon request.