

UTGL series GARAGE LUMINAIRE

UTGL-85VN-D-OC UTGL-100VN-D-OC UTGL-70MX2A-D-OC



Features :

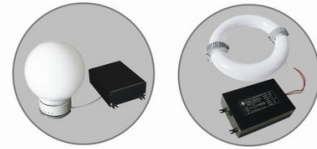
- Die cast aluminum housing with powder coated finish for corrosion-resistance
- UV stabilized polycarbonate lens
- Separated control gear used to improve heat dispersion and extend lifetime of lighting fixture



UTGL-85VN-D-OC UTGL-100VN-D-OC UTGL-70MX2A-D-OC

Lamp and ballast :

- Ultra-Tech's mogul type 80W or round tubular 40W -100W induction lamps feature superior lighting efficiency, producing more visually effective lumens (VEL) per watt than other lighting sources
- Rated lamp life of 60,000~100,000 hours, the equivalent of 11 years at 24 hours per day, 365 days per year with a warranty of 10 years or 50,000 hours which ever comes first
- Instant strike, flicker free, no cool down required, insensitive to numbers of on off, fast warm-up
- Induction lamps are full spectrum containing R/G/B and C/M/Y resulting in a high CRI



Applications :

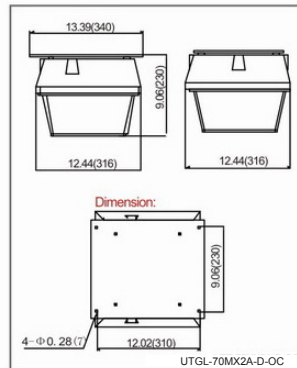
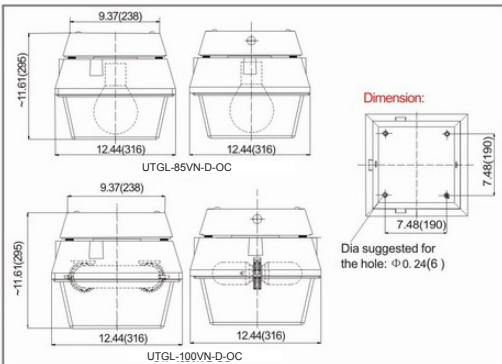
- Parking garages, gas stations, warehouse

Installation :

- Installation method must allow for free airflow around the ballast to comply with warranty requirements

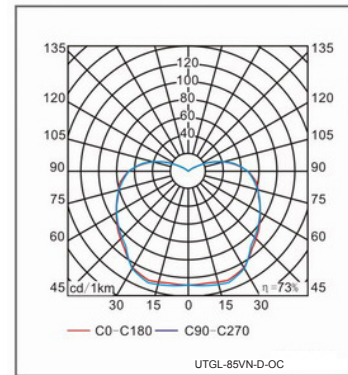
Dimensions :

Unit: inches (mm)



Remark: recommended position and diameter of mounting holes are shown above.

Photometric :



Fixture Specifications :

Fixture Model No.	Lamp	Wattage (W)	Lamp lumens (Lm)	Voltage (V)	Color Temperature (K)	Ambient Temperature (°C)	Installation	IP class	CBM	N.W. (Kg)/(LBs)	G.W. (Kg)/(LBs)	UL CUL
UTGL-85VN-D-OC	VL80W	80	5600-6000	100~300	5000	-20~+50	Ceiling mount	IP43	0.046	4.60 /8.28	5.60 /10.08	✓
UTGL-100VN-D-OC	RT70W	70	4900-5600									
	RT80W	80	5600-6400									
	RT100W	100	7500-8500									
UTGL-70MX2A-D-OC	RT40W	40	2600-3000						0.037	4.60 /8.28	5.60 /10.08	
	RT70W	70	4900-5600									

* Note: Color Temperature 2720-6500K available upon request.

ULTRA-TECH™ LIGHTING

UTGL series GARAGE LUMINAIRE

UTGL-55MX3



Features :

- ⊙ Die cast aluminum housing with powder coated surface for corrosion resistance and durable use
- ⊙ Reflector made of high quality aluminum plate. UV stabilized polycarbonate lens

Lamp and ballast :

- ⊙ Ultra-Tech's 30W,50W mogul type induction lamps feature superior lighting efficiency, producing more visually effective lumens (VEL) per watt than other lighting sources
- ⊙ Rated lamp life of 100,000 hours, the equivalent of 11 years at 24 hours per day, 365 days per year with a warranty of 10 years or 50,000 hours which ever comes first
- ⊙ Instant strike, flicker free, no cool down required, insensitive to numbers of on off, fast warm-up
- ⊙ Induction lamps are full spectrum containing R/G/B and C/M/Y resulting in a high CRI



Applications :

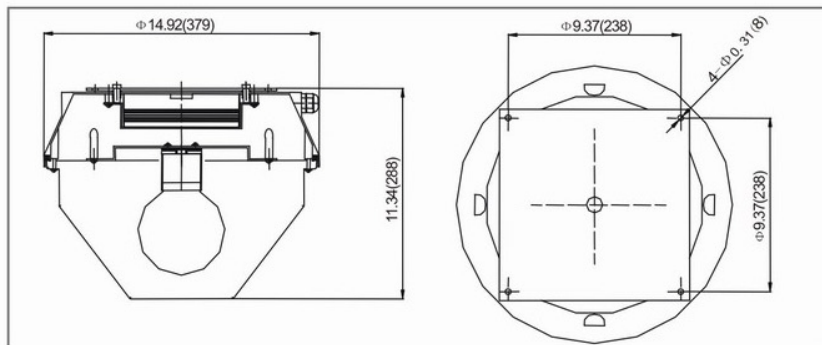
- ⊙ Garage, gas station, warehouse

Installation :

- ⊙ Installation method must allow for free airflow around the ballast to comply with warranty requirements

Dimensions :

Unit: inches (mm)



Photometric :



Fixture Specifications :

Fixture Model No.	Lamp	Wattage (W)	Lamp lumens (Lm)	Voltage (V)	Color Temperature (K)	Ambient (°C)	Installation	IP class	CBM	N.W. (Kg)/ (LBs)	G.W. (Kg)/ (LBs)	UL CUL
UTGL-55MX3	VL30W VL50W	30 50	2100-2250 3500-3750	100-300	5000	-20~+50	Roof mount	IP43	0.052	5.40 /9.72	6.50 /11.70	√

* Note: Color Temperature 2720-6500K available upon request.

UTGL series GARAGE LUMINAIRE

UTGL-YZ-2

Features :

- ◎ Housing is made of cast aluminum alloy for corrosion resistance and durability
- ◎ The lampshade is made of tempered glass for safety, resistance to yellowing, and excellent light transmission

Lamp and ballast :

- ◎ Ultra-Tech's 40W – 100W round tubular induction lamps feature superior lighting efficiency, producing more visually effective lumens (VEL) per watt than other lighting sources
- ◎ Rated lamp life of 100,000 hours, the equivalent of 11 years at 24 hours per day, 365 days per year with a warranty of 10 years or 50,000 hours which ever comes first
- ◎ Instant strike, flicker free, no cool down required, insensitive to numbers of on off, fast warm-up
- ◎ Ultra-Tech's electronic ballast featuring optional Vari-Lume™ controlled dimming technology for linear and step dimming functions via light sensor, RF signal, carrier signal, motion detection, autoranging from 110V-277V, power factor >0.95
- ◎ Induction lamps are full spectrum containing R/G/B and C/M/Y resulting in a high CRI

Applications :

- ◎ For use in parking garages, gasoline stations, under canopy applications

Installation :

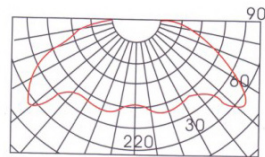
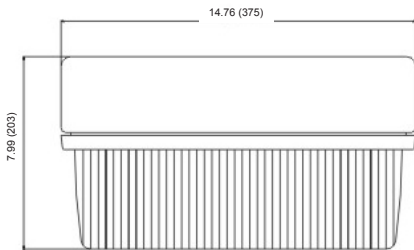
- ◎ Installation method must allow for free airflow around the ballast to comply with warranty requirements



Dimensions :

Unit: inches (mm)

Photometric :



Fixture Specifications :

Fixture Model No.	Lamp	Wattage (W)	Lamp lumens (Lm)	Voltage (V)	Color Temperature (K)	Ambient (°C)	Installation	IP class	UL CUL
UTGL-YZ-2-40W	RT40W	40	2800-3200	100-300	5000	-20~+50	Ceiling or pendant mount	IP43	Pending
UTGL-YZ-2-60W	RT60W	60	4200-4800						
UTGL-YZ-2-80W	RT80W	80	5600-6400						
UTGL-YZ-2-100W	RT100W	100	7500-8500						

* Note: Color Temperature 2720-6500K available upon request.

UTGL series GARAGE LUMINAIRE

UTGL-YZ-3

Features :

- © Housing is made of cast aluminum alloy for corrosion resistance and durability
- © The lampshade is made of tempered glass for safety, resistance to yellowing, and excellent light transmission

Lamp and ballast :

- © Ultra-Tech's 40W – 100W round tubular induction lamps feature superior lighting efficiency, producing more visually effective lumens (VEL) per watt than other lighting sources
- © Rated lamp life of 100,000 hours, the equivalent of 11 years at 24 hours per day, 365 days per year with a warranty of 10 years or 50,000 hours which ever comes first
- © Instant strike, flicker free, no cool down required, insensitive to numbers of on off, fast warm-up
- © Ultra-Tech's electronic ballast featuring optional Vari-Lume™ controlled dimming technology for linear and step dimming functions via light sensor, RF signal, carrier signal, motion detection, autoranging from 110V-277V, power factor >0.95
- © Induction lamps are full spectrum containing R/G/B and C/M/Y resulting in a high CRI

Applications :

- © For use in parking garages, gasoline stations, under canopy applications

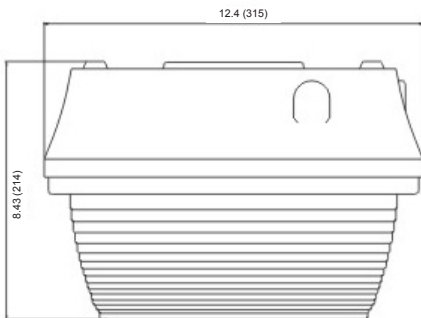
Installation :

- © Installation method must allow for free airflow around the ballast to comply with warranty requirements

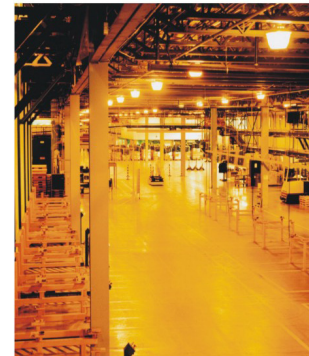
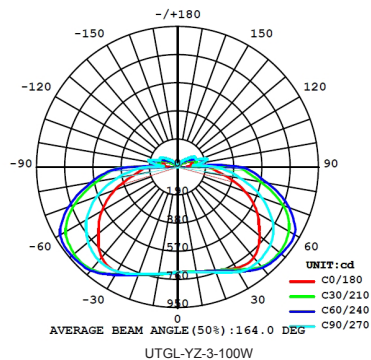


Dimensions :

Unit: inches (mm)



Photometric :



Fixture Specifications :

Fixture Model No.	Lamp	Wattage (W)	Lamp lumens (Lm)	Voltage (V)	Color Temperature (K)	Ambient (°C)	Installation	IP class	UL CUL
UTGL-YZ-3-40W	RT40W	40	2800-3200	100-300	5000	-20~+50	Ceiling or pendant mount	IP43	Pending
UTGL-YZ-3-60W	RT60W	60	4200-4800						
UTGL-YZ-3-80W	RT80W	80	5600-6400						
UTGL-YZ-3-100W	RT100W	100	7500-8500						

* Note: Color Temperature 2720-6500K available upon request.