

UTHB series HIGH/LOW BAY LUMINAIRE

UTHB-GK11

Features :

- ◎ Housing is made of cast aluminum alloy for corrosion resistance and durability
- ◎ Lamp shade is made of high-purity extendable aluminum together with PC
- ◎ Lamp surface is painted using the nano-oxidizing technology, providing high optical performance and durability

Lamp and ballast :

- ◎ Ultra-Tech's 40W – 300W round tubular induction lamps feature superior lighting efficiency, producing more visually effective lumens (VEL) per watt than other lighting sources
- ◎ Rated lamp life of 100,000 hours, the equivalent of 11 years at 24 hours per day, 365 days per year with a warranty of 10 years or 50,000 hours which ever comes first
- ◎ Instant strike, flicker free, no cool down required, insensitive to numbers of on off, fast warm-up
- ◎ Ultra-Tech's electronic ballast featuring optional Vari-Lume™ controlled dimming technology for linear and step dimming functions via light sensor, RF signal, carrier signal, motion detection, autoranging from 110V-277V, power factor >0.95
- ◎ Induction lamps are full spectrum containing R/G/B and C/M/Y resulting in a high CRI



Applications :

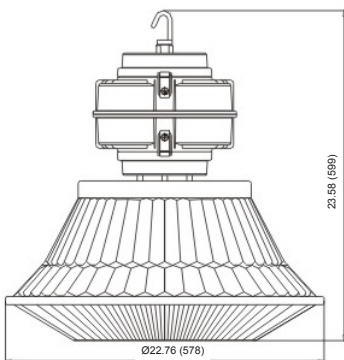
- ◎ Stadiums, workshops, warehouses, airports, train stations, bus stations, gas stations, indoor public areas, exhibition halls, gymnasiums, supermarkets, theaters, arenas, classrooms and industrial applications

Installation :

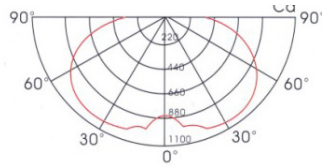
- ◎ Installation method must allow for free airflow around the ballast to comply with warranty requirements

Dimensions :

Unit: inches (mm)



Photometric :



Fixture Specifications :

Fixture Model No.	Lamp	Wattage (W)	Lamp lumens (Lm)	Voltage (V)	Color Temperature (K)	Ambient (°C)	Installation	IP class	UL CUL
UTHB-GK11-40W	RT40W	40	2600-3000	100-300	5000	-20~+50	Hook/Hanging pole	IP43	Pending
UTHB-GK11-60W	RT60W	60	3900-4500						
UTHB-GK11-80W	RT80W	80	5600-6400						
UTHB-GK11-100W	RT100W	100	7500-8500						
UTHB-GK11-120W	RT120W	120	9000-10200						
UTHB-GK11-150W	RT150W	150	12000-12750						
UTHB-GK11-200W	RT200W	200	16000-17000						
UTHB-GK11-250W	RT250W	250	20000-21250						
UTHB-GK11-300W	RT300W	300	24000-25500						

* Note: Color Temperature 2720-6500K available upon request.

ULTRA-TECH™ LIGHTING