

UTTL series TUNNEL LUMINAIRE

UTTL-250TL8 UTTL-300TL8 UTTL-400TL8



Features :

- ⊙ Profiled aluminum with extrusion welded side covers insures a high IP rating
- ⊙ Anodized aluminum reflector and clear tempered glass lens are designed to optimize light distribution
- ⊙ Gas-tight silicon rubber seal made for wet locations
- ⊙ Front opening structure is easy for maintenance

Lamp and ballast :

- ⊙ Ultra-Tech's 250W ~ 400W rectangular tubular induction lamps feature superior lighting efficiency, producing more visually effective lumens (VEL) per watt than other lighting sources
- ⊙ Rated lamp life of 100,000 hours, the equivalent of 11 years at 24 hours per day, 365 days per year with a warranty of 10 years or 50,000 hours which ever comes first
- ⊙ Instant strike, flicker free, no cool down required, insensitive to numbers of on off, fast warm-up
- ⊙ Induction lamps are full spectrum containing R/G/B and C/M/Y resulting in a high CRI



Applications :

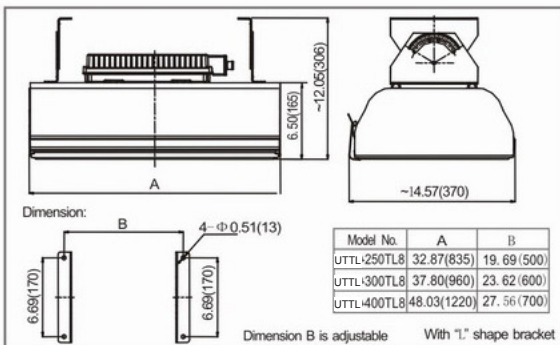
- ⊙ Tunnel ,Freeway, highway, parking lots, public entrances, off-street areas

Installation :

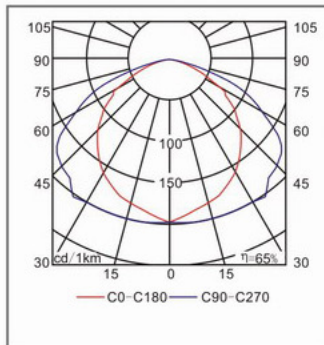
- ⊙ Installation method must allow for free airflow around the ballast to comply with warranty requirements

Dimensions :

Unit: inches (mm)



Photometric :



Fixture Specifications :

| No. | Fixture Model No. | Lamp | Wattage (W) | Lamp lumens (Lm) | Voltage (V) | Color Temperature (K) | Ambient (°C) | Installation | IP class | CBM | N.W. (Kg)/ (LBs) | G.W. (Kg)/ (LBs) | Note | UL CUL |
|-----|-------------------|--------|-------------|------------------|-------------|-----------------------|--------------|------------------------------------|----------|-------|------------------|------------------|---------------|--------|
| 1 | UTTL-250TL8 | ST250W | 250 | 20000-21250 | 100-300 | 5000 | -20~+50 | "L" or "U" bracket horizontal ±30° | IP65 | 0.132 | 19.00 /34.2 | 21.00 /37.8 | Lamp tube Φ54 | √ |
| 2 | UTTL-300TL8 | ST300W | 300 | 24000-25500 | | | | | | 0.141 | 20.00 /36 | 22.00 /39.6 | | |
| 3 | UTTL-400TL8 | ST400W | 400 | 32000-34000 | | | | | | 0.172 | 23.00 /41.40 | 25.00 /45.00 | | |

* Note: Color Temperature 2720-6500K available upon request.