

UTWP series WALLPACK LUMINAIRE

UTWP-85MB UTWP-100MB



Features :

- Die cast aluminum housing with powder coated finish for corrosion-resistance
- Anodized aluminum reflector and prismatic glass lens
- Gas-tight silicon rubber seal made for wet locations

Lamp and ballast :

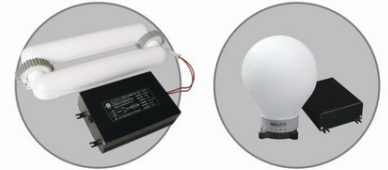
- Ultra-Tech's 80W mogul type or 40W~100W rectangular tubular induction lamps feature superior lighting efficiency, producing more visually effective lumens (VEL) per watt than other lighting sources
- Rated lamp life of 60,000~100,000 hours, the equivalent of 11 years at 24 hours per day, 365 days per year with a warranty of 10 years or 50,000 hours which ever comes first
- Instant strike, flicker free, no cool down required, insensitive to numbers of on off, fast warm-up
- Induction lamps are full spectrum containing R/G/B and C/M/Y resulting in a high CRI

Applications :

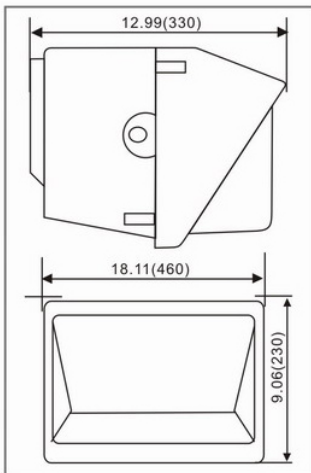
- Parks, shopping malls, outlets, plazas, city halls, historic areas

Installation :

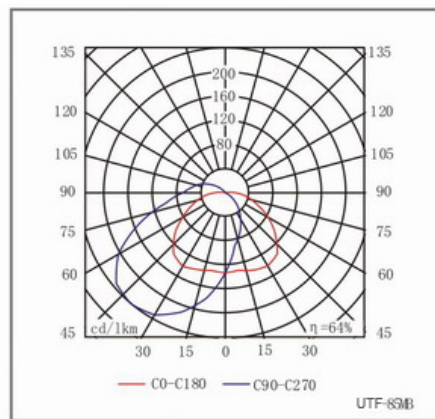
- Installation method must allow for free airflow around the ballast to comply with warranty requirements



Dimensions : Unit: inches (mm)



Photometric :



Fixture Specifications :

Fixture Model No.	Lamp	Wattage (W)	Lamp lumens (Lm)	Voltage (V)	Color Temperature (K)	Ambient (°C)	Installation	IP class	CBM	N.W. (Kg)/ (LBs)	G.W. (Kg)/ (LBs)	UL CUL
UTWP-85MB	VL80W	80	5520~5950	100-300	5000	-20~+50	Vertical wall	IP54	0.053	7.50	9.30	√
			/13.50							/16.74		
UTWP-100MB	ST40W	40	2800-3200									
	ST70W	70	4900-5600									
	ST80W	80	5600-6400					0.053	7.50	9.30		
	ST100W	100	7500-8500							/13.50	/16.74	

* Note: Color Temperature 2720-6500K available upon request.

UTWP series WALLPACK LUMINAIRE

UTWP-TS1

Features :

- Housing is made of cast aluminum alloy for corrosion resistance and durability
- The lampshade is tempered glass for safety, resistance to yellowing, and excellent light transmission

Lamp and ballast :

- Ultra-Tech's 40W-150W rectangular tubular induction lamps feature superior lighting efficiency, producing more visually effective lumens (VEL) per watt than other lighting sources
- Rated lamp life of 100,000 hours, the equivalent of 11 years at 24 hours per day, 365 days per year with a warranty of 10 years or 50,000 hours which ever comes first
- Instant strike, flicker free, no cool down required, insensitive to numbers of on off, fast warm-up
- Ultra-Tech's electronic ballast featuring optional Vari-Lume™ controlled dimming technology for linear and step dimming functions via light sensor, RF signal, carrier signal, motion detection, autoranging from 110V-277V, power factor >0.95
- Induction lamps are full spectrum containing R/G/B and C/M/Y resulting in a high CRI



Applications :

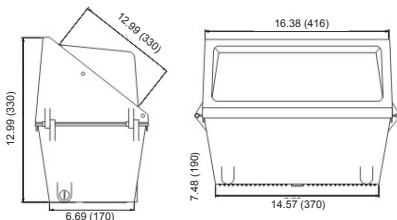
- Parks, outlets, outdoor lighting applications

Installation :

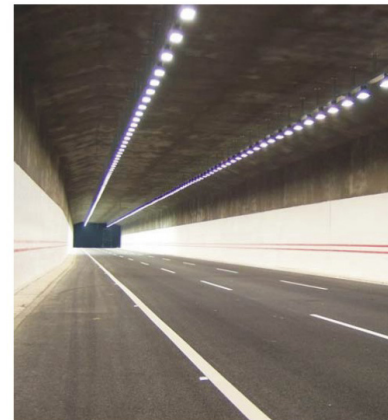
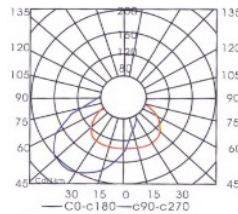
- Installation method must allow for free airflow around the ballast to comply with warranty requirements

Dimensions :

Unit: inches (mm)



Photometric :



Fixture Specifications :

Fixture Model No.	Lamp	Wattage (W)	Lamp lumens (Lm)	Voltage (V)	Color Temperature (K)	Ambient (°C)	Installation	IP class	UL CUL
UTWP-TS1-40W	ST40W	40	2800-3200	100-300	5000	-20~+50	Vertical wall	IP65	Pending
UTWP-TS1-60W	ST60W	60	4200-4800						
UTWP-TS1-80W	ST80W	80	5600-6400						
UTWP-TS1-100W	ST100W	100	7500-8500						
UTWP-TS1-120W	ST120W	120	9000-10200						
UTWP-TS1-150W	ST150W	150	12000-12750						

* Note: Color Temperature 2720-6500K available upon request.