

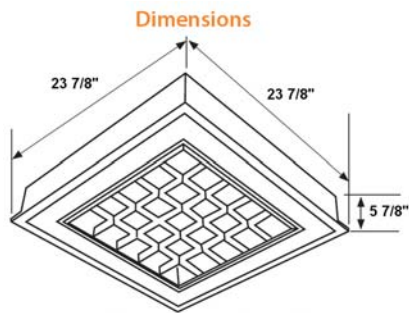
ULTRA-TECH™ LIGHTING

OFFICE-BRIGHT™

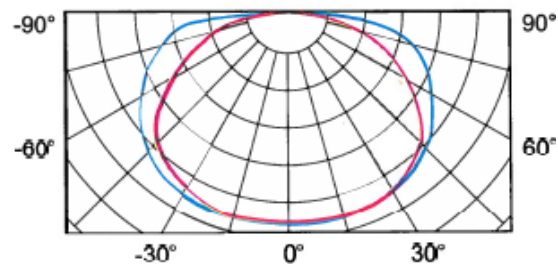
OFBT-TR-001A
OFBT-TR-002A



- Office-Bright™ LUMENTEC® tuned spectrum
- Color Rendition Index (CRI) > .95
- From 5,000K to >10,000K color temperature
- 100,000 hour life cycle
- 110V~277V and 50hz or 60hz auto-sensing ballast, .98 power factor
- Available in 40W, 60W, 80W and 100W
- Instant strike/re-strike, no warm-up/cool down
- Nano-particle reflector technology
- Prismatic (001A) or parabolic (002A)



LIGHTING DISTRIBUTION CURVE



The Office-Bright™ 2' x 2' in-ceiling troffer is ideal for offices, conference rooms, hallways, and common areas. Designed for mounting into hung ceiling grids or direct to ceiling. The unique full spectrum **full diffusion** fixture is capable of replacing T5, T8, and T12 fluorescent fixtures for savings of up to 50% including ballast overheads. Office-Bright™ fixtures use Health-Bright™ technology that is flicker-free and improves human performance by up to 20%. The ultra-high efficiency driver (ballast) is auto-sensing from 110V~277V and 50hz/60hz to meet U.S. and European standards. Mercury is a solid encapsulated amalgam, making Office-Bright™ environmentally friendly and safe. No special handling is required. No hazardous material disposal is necessary. There is no viewing danger common to LEDs. Diffused light provides uniformity without hot spots. Instant strike means never having to wait for a warm-up or cool-down. See technical specifications on back for more information.

Contact: Philip Gotthelf ♦ (201) 784-1233 x 100 (office) ♦ (201) 401-6068 (cell)
P.O. Box 566, Closter, NJ 07624-0566



TECHNICAL SPECIFICATIONS

MODEL	OFBT-TR-001A and 002A
RATED WATTAGE	40W~100W
VOLTAGE RANGES	120V~277V \pm 15%
CURRENT @ 120V~277V	0.34A @ 120V 40W 0.85A @ 12V 100W
FREQUENCY	50/60Hz
POWER FACTOR	0.98
IN-RUSH CURRENT	NEGLIGIBLE
RFI PART 15/18	SHIELDED
NOISE	<20dB
TYPE	MAGNETIC INDUCTION
COLOR RENDITION INDEX	>.95
COLOR TEMPERATURE	5,000K~10,000K UV TRUNCATED
BALLAST/BULB CERTIFICATIONS	UL-C/CCC/CE/CB/RoHS
TEMPERATURE RANGE	-30°F ~ +140°F
RATING	Indoor Dry
FINISH	Powder Coated
REFLECTOR	FULL-DIFFUSION NANO-PARTICLE
MOUNTING	Grid or Direct mount
LENS	Prismatic or Parabolic (no lens)
LUMENS PER WATT	95LPW~105LPW
VISUALLY EFFECTIVE LUMENS	~277/LPW

FEATURES	T5	T8	T12	LED	Office-Bright™	Other MIL
100,000 hour life cycle (11 yrs @ 24hrs x 365 days)	No	No	No	No	YES	Yes
40% energy savings	< 30%	< 30%	< 30%	Some	YES	Some
Negligible In-Rush Current	No	No	No	No	YES	Yes
Health-Bright™ Technology	No	No	No	No	YES	No
Proprietary Geometry	No	No	No	No	YES	No
Proprietary Nano-Particle Reflector	No	No	No	No	YES	No
Instant strike - no warm up or cool down	Yes	Yes	Yes	Yes	YES	Yes
Full Spectrum with CRI > .95	No	No	Few	No	YES	Some
Color Temperatures up to 10,000K	No	No	No	No	YES	Some
Exceptionally high power factor > .98	No	No	No	No	YES	Yes
Unparalleled Warranty 5 years 50K hrs	No	No	No	No	YES	Some
Fully recyclable, no special disposal	No	No	No	No	YES	Yes
Lease Financing Available	No	No	No	No	YES	No

